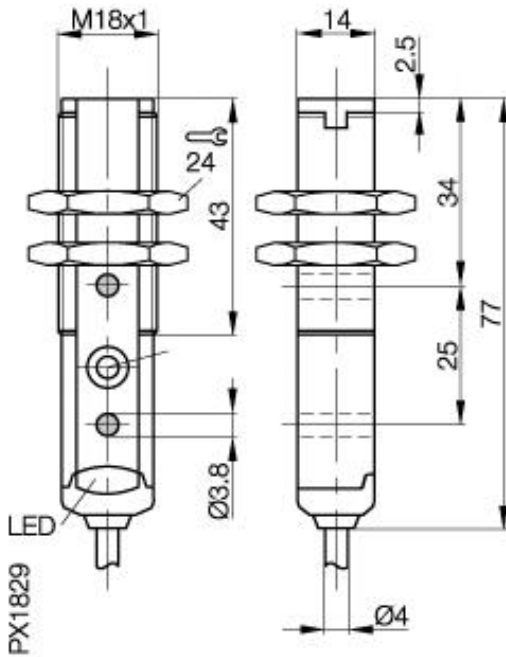


Photoelectric Sensor
BOS 18KF-PA-1HA-C-02
Sn=100mm
Diffuse, Background suppression



Common Data

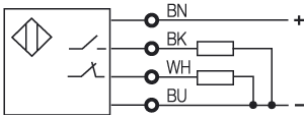
Series	18K
Sensortype	Diffuse, Background suppression
Switching frequency	500 Hz
Rated operating distance Sn in mm	100
asured operating distance Sa	50...100mm
Indication Switching element on	yes, yellow LED
Indication Special funktion	LED green/red
Ambient temperature	-25...+55°C
On-delay	1ms
Off-delay	< 0,8ms
Light	Red light
Sensitivity Adjustment	Teach in
Blind zone / min Reflector distance	50mm
Diameter of active zone	approx.8mm at 100mm
Output function	light-on or dark-on

Mechanical Data

Measurements	M18x77
Shock	Halfsinus, 30gn, 11ms
Vibration	10...55Hz, 1,5mm Amplitude 3x2h
Housing material	PBT
Material of sensing face	PMMA
Degree of protection	IP67
Connection	Cable
Weigth	75g
Type of Cable	PVC, 4x0,14mm ²

Electrical Data

Current	DC
Switching function	NO/NC
Output	PNP
Rated operational voltage Ue	24V DC
Rated operational current Ie	100mA
Supply Voltage	10...30V DC
Ripple	< 10% from UB
Frequency of Supply Voltage	DC
No-load supply current	<30mA
Voltage drop	<2V
Short protection	yes
Protected against polarity reversal	yes



Utilization categories
 Insulation class

DC 13

Datasheet number:

Definitions see general catalog.
 If not otherwise noted, ratings according to
 IEC 60947-5-2 (DIN EN60947-5-2)

Balluff GmbH
 Schurwaldstrasse 9
 73765 Neuhausen a.d.F.
 Phone (07158) 173-0 Fax (07158) 5010

Datenblatt by CD-ROM - 04/2007

BALLUFF
 sensors worldwide